

Janusz Januszewski; Łukasz Zielonka

Packing of non-blocking four-dimensional cubes into the unit cube

Archivum Mathematicum, Vol. 60 (2024), No. 3, 153–162

Persistent URL: <http://dml.cz/dmlcz/152523>

Terms of use:

© Masaryk University, 2024

Institute of Mathematics of the Czech Academy of Sciences provides access to digitized documents strictly for personal use. Each copy of any part of this document must contain these *Terms of use*.



This document has been digitized, optimized for electronic delivery and stamped with digital signature within the project *DML-CZ: The Czech Digital Mathematics Library* <http://dml.cz>

PACKING OF NON-BLOCKING FOUR-DIMENSIONAL CUBES INTO THE UNIT CUBE

JANUSZ JANUSZEWSKI AND ŁUKASZ ZIELONKA

ABSTRACT. Any collection of non-blocking four-dimensional cubes, whose total volume does not exceed $17/81$, can be packed into the unit four-dimensional cube. This bound is tight for the parallel packing.

1. INTRODUCTION

Let C_n be a d -dimensional cube, for $n = 1, 2, \dots$. Moreover, let I^d be a d -dimensional cube of edges of length 1. We say that C_1, C_2, \dots can be *packed* into I^d if it is possible to apply translations and rotations to the sets C_n so that the resulting translated and rotated cubes are contained in I^d and have mutually disjoint interiors. The packing is called *parallel* if each edge of any packed cube is parallel to an edge of I^d .

Meir and Moser in their seminal paper [6] showed that any family of d -dimensional cubes can be parallel packed into the unit d -dimensional cube I^d , provided that the total volume of the cubes is not greater than 2^{1-d} . Moreover, it is known that any family of d -dimensional cubes of total volume not greater than 2^{1-d} can be packed into I^d so that the uncovered part of I^d contains a cube of edge length $1 - \sqrt[d]{2}/2$ (see [5]). It is very likely that also any family of d -dimensional boxes with edge lengths not greater than 1 of total volume not greater than 2^{1-d} can be packed into I^d , but this conjecture has been confirmed only for $d = 2$ (see [1]).

Obviously, any two cubes whose sum of edge lengths is greater than 1 (and, consequently, whose total volume is greater than 2^{1-d}) cannot be parallel packed into I^d ; after packing one of the cubes, there is not enough space in I^d to pack the other cube. Denote by a_n the edge length of C_n , for $n = 1, 2, \dots$. We say that the cubes C_1, C_2, \dots are *non-blocking*, if $a_i + a_j \leq 1$ for any $i \neq j$ (compare [2]). It is known that any collection of non-blocking squares, whose total area does not exceed $5/9$, can be packed in I^2 (see [4]). Furthermore, in [3] it is shown that any collection of non-blocking three-dimensional cubes, whose total volume does not exceed $1/3$, can be packed in I^3 .

2020 *Mathematics Subject Classification*: primary 52C17.

Key words and phrases: packing, cube.

Received January 17, 2024, revised June 2024. Editor J. Nešetřil.

DOI: 10.5817/AM2024-3-153

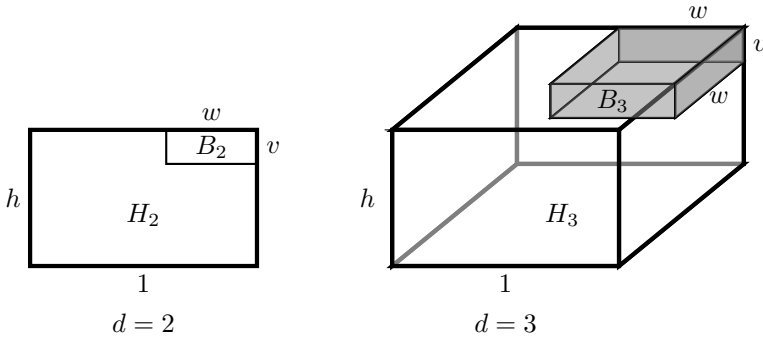


FIG. 1: H_d and B_d for $d = 2$ and $d = 3$

Conjecture 1. Any collection of non-blocking d -dimensional cubes can be parallel packed into I^d , provided that the sum of volumes of the cubes is not greater than $(2^d + 1)/3^d$.

Clearly, the upper bound $(2^d + 1)/3^d$ cannot be increased here: $2^d + 1$ cubes of edge lengths greater than $1/3$ cannot be parallel packed into I^d .

The aim of this note is to confirm this conjecture in dimension $d = 4$.

2. M_d^+ -METHOD

We will use the packing method based on the methods described in [4], [3], [6] and [7]. Let $I^d = [0, 1]^d$, $H_d = [0, 1]^{d-1} \times [0, h]$ and $B_d = [1 - w, 1]^{d-1} \times [h - v, h]$, where $0 \leq w < 1$ and $0 \leq v < h$ (see Fig. 1). Moreover, let \mathcal{C} be a collection of d -dimensional cubes C_1, C_2, \dots . Assume that $a_n \geq a_{n+1}$ for $n = 1, 2, \dots$, that $a_1 + w \leq 1$ and that $a_1 + a_2 \leq 1$, where a_n denotes the length of the edge of C_n . By $\text{Int}B$ denote the interior of B .

The description is inductive with respect to d .

- For $d = 2$, the method M_2^+ (presented in [4]) is as follows. Squares C_1, C_2, \dots are packed into $H_2 \setminus \text{Int}B_2$ in layers L_1, L_2, \dots . The first layer is either the rectangle $[0, 1] \times [0, a_1]$ if $([0, 1] \times [0, a_1]) \cap \text{Int}B_2 = \emptyset$ or the rectangle $[0, 1 - w] \times [0, a_1]$, otherwise (see Fig. 2). The squares C_1, C_2, \dots are packed into H_2 along the base of the first layer L_1 from left to right. If C_{n_1} is the first square that cannot be packed in that way, then the new layer L_2 , of height a_{n_1} , is created directly above L_1 . The base of L_2 is either equal to 1 if $([0, 1] \times [a_1, a_1 + a_{n_1}]) \cap \text{Int}B_2 = \emptyset$ or equal to $1 - w$, otherwise. The squares $C_{n_1}, C_{n_1+1}, \dots$ are packed into H_2 along the base of the second layer from left to right. If C_{n_2} is the first square that cannot be packed in that way in the second layer, then the new layer L_3 , of height a_{n_2} , is created directly above the second layer. The base of L_3 is either equal to 1 if $([0, 1] \times [a_1 + a_{n_1}, a_1 + a_{n_1} + a_{n_2}]) \cap \text{Int}B_2 = \emptyset$ or equal to $1 - w$, otherwise, etc.

- Assume that $d \geq 3$ and that the methods M_j^+ are described for $j = 2, 3, \dots, d-1$. Cubes from \mathcal{C} are packed into H_d in layers L_1, L_2, \dots similarly as in the method of Meir and Moser [6]. The base of each layer is a unit $(d-1)$ -dimensional cube. The first layer is the box $[0, 1]^{d-1} \times [0, a_1]$. The cubes are packed in L_1 so that the $(d-1)$ -dimensional bottoms of the cubes are packed into the $(d-1)$ -dimensional bottom of the layer according to the method M_{d-1}^+ (where $h = 1$, i.e., where $H_{d-1} = I^{d-1}$). If $([0, 1]^{d-1} \times [0, a_1]) \cap \text{Int}B_d = \emptyset$, then $B_{d-1} = \emptyset$ in the M_{d-1}^+ -method, otherwise $B_{d-1} = [1 - w, 1]^{d-1}$. If C_{n_1} is the first cube that cannot be packed in L_1 , then the new layer L_2 , of height a_{n_1} , is created directly above L_1 . The cubes $C_{n_1}, C_{n_1+1}, \dots$ are packed into L_2 so that the $(d-1)$ -dimensional bottoms of the cubes are packed into the $(d-1)$ -dimensional bottom of the layer according to the M_{d-1}^+ -method. If $([0, 1]^{d-1} \times [a_1, a_1 + a_{n_1}]) \cap \text{Int}B_d = \emptyset$, then $B_{d-1} = \emptyset$ in the M_{d-1}^+ -method, otherwise $B_{d-1} = [1 - w, 1]^{d-1}$. If C_{n_2} is the first cube that cannot be packed in that way in the second layer, then the new layer L_3 , of height a_{n_2} , is created directly above the second layer, etc. If t is an integer such that $a_1 + a_{n_1} + \dots + a_t > h$, then we stop the packing process; there is no empty space in H_d to create a new layer to pack C_{n_t} (see Fig. 2, where $n_t = z$).

Lemma 1. *If C_z is the first cube from \mathcal{C} that cannot be packed into $H_d \setminus \text{Int}B_d$ by the M_d^+ -method, then the total volume of cubes C_1, C_2, \dots, C_z plus the volume of B is greater than $a_1^d + (1 - a_1)^{d-1}(h - a_1)$.*

Proof. The proof for $d = 2$ and for $d = 3$ is given in [4] and [3]. Assume that $d \geq 3$ and that the statements holds for each dimension $j = 2, 3, \dots, d - 1$.

The cubes from \mathcal{C} are packed into $H_d \setminus \text{Int}B_d$ by the M_d^+ -method. Clearly, the volume of B_d is equal to $w^{d-1}v$ and the volume of the $(d-1)$ -dimensional bottom of B equals w^{d-1} . Let $n_0 = 1$. Clearly, $z = n_t$, where t is the smallest integer such that $a_1 + a_{n_1} + \dots + a_{n_t} > h$ (see Fig. 2).

Since C_{n_1} cannot be packed in the first layer L_1 , by the inductive assumption we conclude that the sum of volumes of $(d-1)$ -dimensional bottoms of cubes C_1, C_2, \dots, C_{n_1} is greater than $a_1^{d-1} + (1 - a_1)^{d-1}$, provided that $L_1 \cap \text{Int}B_d = \emptyset$ or greater than $a_1^{d-1} + (1 - a_1)^{d-1} - w^{d-1}$, provided that $L_1 \cap \text{Int}B_d \neq \emptyset$ (the volume of B_{d-1} equals w^{d-1}). Thus the sum of volumes of cubes in L_1 is greater than $a_1^d + [(1 - a_1)^{d-1} - a_{n_1}^{d-1}] \cdot a_{n_1}$, provided that $L_1 \cap \text{Int}B_d = \emptyset$ or greater than $a_1^d + [(1 - a_1)^{d-1} - a_{n_1}^{d-1} - w^{d-1}] \cdot a_{n_1}$, provided that $L_1 \cap \text{Int}B_d \neq \emptyset$.

Let k be the smallest integer such that

$$a_1 + a_{n_1} + \dots + a_{n_{k-1}} + v > h$$

(see Fig. 2, where $k = 2$). If $j \in \{1, \dots, k - 1\}$, then the total volume of $(d-1)$ -dimensional bottoms of cubes packed in L_j is greater than

$$a_{n_{j-1}}^{d-1} + (1 - a_{n_{j-1}})^{d-1} - a_{n_j}^{d-1}.$$

This means that the sum of volumes of cubes in L_j is greater than

$$a_{n_{j-1}}^d + [(1 - a_{n_{j-1}})^{d-1} - a_{n_j}^{d-1}]a_{n_j}.$$

If $j \in \{k, \dots, t\}$, then the total volume of $(d - 1)$ -dimensional bottoms of cubes packed in L_j is greater than

$$a_{n_{j-1}}^{d-1} + (1 - a_{n_{j-1}})^{d-1} - w^{d-1} - a_{n_j}^{d-1}.$$

This means that the sum of volumes of cubes in L_j is greater than

$$a_{n_{j-1}}^d + [(1 - a_{n_{j-1}})^{d-1} - w^{d-1} - a_{n_j}^{d-1}]a_{n_j}.$$

As a consequence, the sum of volumes of C_1, \dots, C_z is greater than

$$\begin{aligned} & a_1^d + [(1 - a_1)^{d-1} - a_{n_1}^{d-1}]a_{n_1} \\ & + a_{n_1}^d + [(1 - a_{n_1})^{d-1} - a_{n_2}^{d-1}]a_{n_2} \\ & + \dots + a_{n_{k-2}}^d + [(1 - a_{n_{k-2}})^{d-1} - a_{n_{k-1}}^{d-1}]a_{n_{k-1}} \\ & + a_{n_{k-1}}^d + [(1 - a_{n_{k-1}k})^{d-1} - w^{d-1} - a_{n_k}^{d-1}]a_{n_k} + \dots \\ & + a_{n_{t-1}}^d + [(1 - a_{n_{t-1}})^{d-1} - w^{d-1} - a_{n_t}^{d-1}]a_{n_t} + a_{n_t}^d \\ & \geq a_1^d + (1 - a_1)^{d-1}(a_{n_1} + \dots + a_{n_t}) - w^{d-1}(a_{n_k} + \dots + a_{n_{t-1}}). \end{aligned}$$

Obviously,

$$a_1 + a_{n_1} + \dots + a_{n_t} > h$$

as well as

$$a_{n_k} + \dots + a_{n_{t-1}} < v$$

(see Fig. 2, where $k = 2$ and $t = 5$).

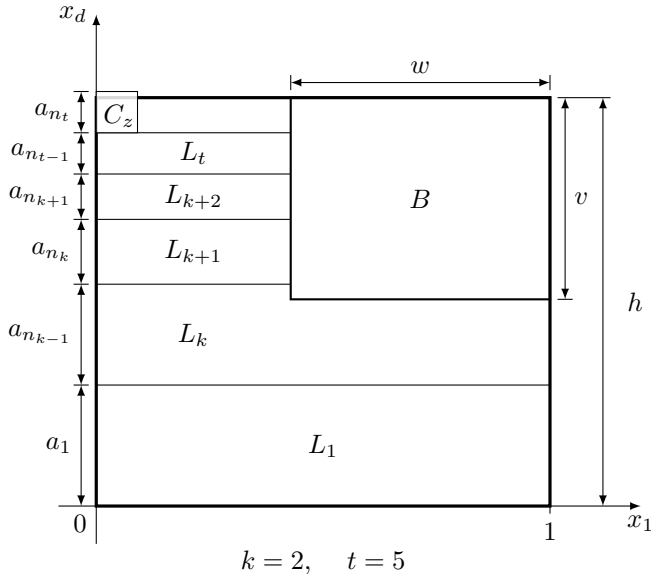


FIG. 2: Projection of H_d onto x_1x_d plane.

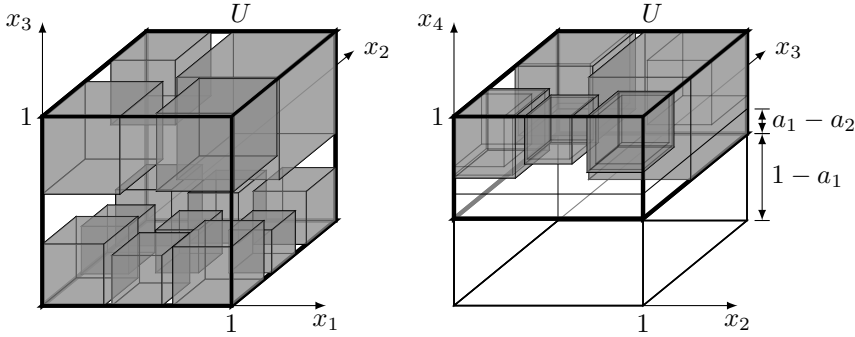


FIG. 3: Packing cubes C_1, C_2, \dots, C_{13} into U when $a_5 \leq 1/3$.

Thus the sum of volumes of C_1, \dots, C_z is greater than

$$a_1^d + (1 - a_1)^{d-1}(h - a_1) - w^{d-1}v.$$

□

3. PACKING OF NON-BLOCKING FOUR-DIMENSIONAL CUBES INTO I^4

Let \mathcal{C} be a collection of cubes C_1, C_2, \dots . Assume that $a_1 + a_2 \leq 1$ and that $a_n \geq a_{n+1}$, where a_n denotes the edge length of C_n for $n = 1, 2, \dots$.

Let

$$\begin{aligned} U &= [0, 1] \times [0, 1] \times [0, 1] \times [1 - a_1, 1], \\ H_4 &= [0, 1] \times [0, 1] \times [0, 1] \times [0, 1 - a_2], \\ B_4 &= [1 - a_1, 1] \times [1 - a_1, 1] \times [1 - a_1, 1] \times [1 - a_1, 1 - a_2]. \end{aligned}$$

Clearly, if $a_1 \neq a_2$, then B_4 is a box of size $a_1 \times a_1 \times a_1 \times (a_1 - a_2)$.

- The first cube C_1 is packed into U at the vertex $(1, 1, 1, 1)$.
- The cubes C_2, C_3, C_4 are packed into U at the vertices of $(0, 0, 1, 1)$, $(1, 0, 1, 1)$ and $(0, 1, 1, 1)$, respectively.
- The cubes C_5, C_6, C_7, C_8 are packed into U at the vertices of $(0, 0, 0, 1)$, $(1, 0, 0, 1)$, $(0, 1, 0, 1)$ and $(1, 1, 0, 1)$, respectively.
- If $a_5 > 1/3$, then no more cube will be packed into $U \setminus H_4$.
- If $a_5 \leq 1/3$, then C_9, \dots, C_{13} are packed into $U \setminus \text{Int}H_4$ (see Fig. 3, a detailed description can be found in Appendix A).
- The remaining cubes are packed into $H_4 \setminus \text{Int}B_4$ in corresponding layers L_i ($i = 1, 2, \dots$) by the M_4^+ -method (see Fig. 2 and Fig. 4).

Theorem 2. *Any collection of non-blocking four-dimensional cubes with total volume not greater than $17/81$ can be packed into I^4 .*

Proof. Denote by C_1, C_2, \dots the cubes in the collection. Without loss of generality we can assume that $a_1 \geq a_2 \geq \dots$, where a_n is the edge length of C_n , for

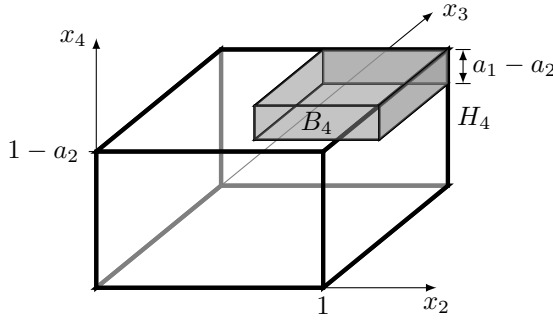


FIG. 4: Three-dimensional top of H_4 .

$n = 1, 2, \dots$ We will show that if the cubes cannot be packed into I^4 , then $a_1^4 + a_2^4 + \dots > 17/81$, which is a contradiction.

Consider three cases.

Case 1: $a_9 > 1/3$.

Eight first cubes were packed at the top of I^4 and the remaining cubes C_9, C_{10}, \dots were packed into H_4 . The volume of B_4 is equal to $a_1^3(a_1 - a_2)$. If the cubes cannot be packed into I^4 , then, by Lemma 1 (for $d = 4$ and $h = 1 - a_2$), the sum of volumes of the cubes is greater than

$$\begin{aligned} & (a_1^4 + a_2^4 + \dots + a_8^4) + a_9^4 + (1 - a_9)^3(1 - a_2 - a_9) - a_1^3(a_1 - a_2) \\ &= a_1^3 a_2 + a_2^4 + \dots + a_9^4 + (1 - a_9)^3(1 - a_2 - a_9) \\ &\geq 2a_2^4 + 7a_9^4 + (1 - a_2 - a_9)(1 - a_9)^3. \end{aligned}$$

Consider the function

$$\varphi(a_2, a_9) = 2a_2^4 + 7a_9^4 + (1 - a_2 - a_9)(1 - a_9)^3$$

in the domain given by inequalities $1/3 < a_9 \leq a_2 \leq 1/2$.

Since $\varphi'_{a_2}(a_2, a_9) = 8a_2^3 - (1 - a_9)^3 \geq 8a_9^3 - (1 - a_9)^3 > 0$ for $1/3 < a_9 \leq a_2$, we get

$$\varphi(a_2, a_9) \geq \varphi(a_9, a_9) = 9a_9^4 + (1 - 2a_9)(1 - a_9)^3.$$

Let $\varphi_1(a_9) = 9a_9^4 + (1 - 2a_9)(1 - a_9)^3$. Since

$$\varphi'_1(a_9) = 44a_9^3 - 21a_9^2 + 18a_9 - 5$$

and

$$\varphi''_1(a_9) = 132a_9^2 - 42a_9 + 18 > 0$$

it follows that

$$\varphi'_1(a_9) > \varphi'_1(1/3) > 0$$

for $a_9 > 1/3$ and that

$$\varphi(a_2, a_9) > \varphi_1(1/3) = 17/81.$$

Case 2: $a_9 \leq 1/3$ and $a_5 > 1/3$.

Eight first cubes were packed at the top of I^4 and the remaining cubes C_9, C_{10}, \dots were packed into H_4 . If the cubes cannot be packed into I^4 , then, by Lemma 1, the sum of volumes of the cubes is greater than

$$\begin{aligned} & a_1^4 + a_2^4 + \dots + a_8^4 + a_9^4 + (1 - a_9)^3(1 - a_2 - a_9) - a_1^3(a_1 - a_2) \\ &= a_1^3 a_2 + a_2^4 + (a_3^4 + a_4^4 + a_5^4) + (a_6^4 + a_7^4 + a_8^4 + a_9^4) + (1 - a_9)^3(1 - a_2 - a_9) \\ &\geq 2a_2^4 + 3 \cdot \left(\frac{1}{3}\right)^4 + 4a_9^4 + (1 - a_2 - a_9)(1 - a_9)^3. \end{aligned}$$

The function

$$2x^4 + 3 \cdot \left(\frac{1}{3}\right)^4 + 4y^4 + (1 - x - y)(1 - y)^3$$

reaches values not smaller than $17/81$ in the domain D given by the inequalities $0 < y \leq 1/3 < x \leq 1/2$ (see Appendix B)

Case 3: $a_5 \leq 1/3$.

Thirteen cubes were packed at the top of I^4 .

If the cubes cannot be packed into I^4 , then, by Lemma 1, the sum of volumes of the cubes is greater than

$$\begin{aligned} & (a_1^4 + a_2^4 + \dots + a_{13}^4) + a_{14}^4 + (1 - a_{14})^3(1 - a_2 - a_{14}) - a_1^3(a_1 - a_2) \\ &= a_1^3 a_2 + a_2^4 + \dots + a_{14}^4 + (1 - a_{14})^3(1 - a_2 - a_{14}) \\ &\geq 2a_2^4 + 12a_{14}^4 + (1 - a_2 - a_{14})(1 - a_{14})^3. \end{aligned}$$

The function $2x^4 + 12y^4 + (1 - x - y)(1 - y)^3$ reaches values not smaller than $17/81$ for $0 < y < 1/3$ and $y \leq x \leq 1/2$ (see Appendix C). □

APPENDIX A.

The first eight cubes are packed in the following places:

$$\begin{aligned} & [1 - a_1, 1] \times [1 - a_1, 1] \times [1 - a_1, 1] \times [1 - a_1, 1], \\ & [0, a_2] \times [0, a_2] \times [1 - a_2, 1] \times [1 - a_2, 1], \\ & [1 - a_3, 1] \times [0, a_3] \times [1 - a_3, 1] \times [1 - a_3, 1], \\ & [0, a_4] \times [1 - a_4, 1] \times [1 - a_4, 1] \times [1 - a_4, 1], \\ & [0, a_5] \times [0, a_5] \times [0, a_5] \times [1 - a_5, 1], \\ & [1 - a_6, 1] \times [0, a_6] \times [0, a_6] \times [1 - a_6, 1], \\ & [0, a_7] \times [1 - a_7, 1] \times [0, a_7] \times [1 - a_7, 1], \\ & [1 - a_8, 1] \times [1 - a_8, 1] \times [0, a_8] \times [1 - a_8, 1]. \end{aligned}$$

If $a_5 \leq 1/3$, then there is enough empty space between C_5, C_6, C_7 and C_8 to pack the next five cubes, for example in the following places:

$$\begin{aligned} & \left[\frac{1}{2} - \frac{1}{2}a_9, \frac{1}{2} + \frac{1}{2}a_9\right] \times [0, a_9] \times [0, a_9] \times [1 - a_9, 1], \\ & [0, a_{10}] \times \left[\frac{1}{2} - \frac{1}{2}a_{10}, \frac{1}{2} + \frac{1}{2}a_{10}\right] \times [0, a_{10}] \times [1 - a_{10}, 1], \\ & \left[\frac{1}{2} - \frac{1}{2}a_{11}, \frac{1}{2} + \frac{1}{2}a_{11}\right] \times [1 - a_{11}, 1] \times [0, a_{11}] \times [1 - a_{11}, 1], \\ & [1 - a_{12}, 1] \times \left[\frac{1}{2} - \frac{1}{2}a_{12}, \frac{1}{2} + \frac{1}{2}a_{12}\right] \times [0, a_{12}] \times [1 - a_{12}, 1], \\ & \left[\frac{1}{2} - \frac{1}{2}a_{13}, \frac{1}{2} + \frac{1}{2}a_{13}\right] \times \left[\frac{1}{2} - \frac{1}{2}a_{13}, \frac{1}{2} + \frac{1}{2}a_{13}\right] \times [0, a_{13}] \times [1 - a_{13}, 1]. \end{aligned}$$

APPENDIX B.

We find the global minimum of the function

$$f(x, y) = 2x^4 + 3 \cdot \left(\frac{1}{3}\right)^4 + 2y^4 + (1 - x - y)(1 - y)^3$$

in the domain D_f given by the following inequalities:

$$\begin{cases} \frac{1}{3} \leq x \leq \frac{1}{2} \\ 0 \leq y \leq \frac{1}{3} \end{cases}.$$

Since $f'_x(x, y) = 8x^3 - (1 - y)^3$, the equation $f'_x(x, y) = 0$ implies that $x = \frac{1}{2} - \frac{1}{2}y$. Moreover $f'_y(x, y) = 16y^3 - (1 - y)^3 - 3(1 - y)^2(1 - x - y)$. Hence

$$f'_y\left(\frac{1}{2} - \frac{1}{2}y, y\right) = 16y^3 - (1 - y)^3 - 3(1 - y)^2\left(1 - \frac{1}{2} + \frac{1}{2}y - y\right) = 16y^3 - \frac{5}{2}(1 - y)^3 = 0$$

at $y_0 = \frac{5}{2\sqrt[3]{100+5}} > \frac{1}{3}$. Thus there is no stationary point in D_f .

The boundary of the rectangle D_f consists of four segments.

- The segment $y = 1/3$ with $1/3 \leq x \leq 1/2$. The function

$$f_1(x) = f\left(x, \frac{1}{3}\right) = 2x^4 - \frac{8}{27}x + \frac{23}{81}$$

for $x \in [1/3, 1/2]$ reaches its lowest value $17/81$ at $x = 1/3$.

- The segment $x = 1/3$ with $0 \leq y \leq 1/3$. Consider the function

$$f_2(y) = f\left(\frac{1}{3}, y\right) = 5y^4 - \frac{11}{3}y^3 + 5y^2 - 3y + \frac{59}{81}$$

for $y \in [0, 1/3]$. Since

$$f'_2(y) = 20y^3 - 11y^2 + 10y - 3$$

and

$$f''_2(y) = 60y^2 - 22y + 10 > 0,$$

it follows that

$$f'_2(y) \leq f'_2\left(\frac{1}{3}\right) = -\frac{4}{27} < 0$$

for $y \leq 1/3$, i.e., the function f_2 is decreasing in interval $[0, 1/3]$. Thus $f_2(y) \geq f_2(1/3) = 17/81$ for $0 \leq y \leq 1/3$.

- The segment $x = 1/2$ with $0 \leq y \leq 1/3$. Consider the function

$$f_3(y) = f\left(\frac{1}{2}, y\right) = 5y^4 - \frac{9}{2}y^3 + \frac{9}{2}y^2 - \frac{5}{2}y + \frac{143}{216}.$$

for $y \in [0, 1/3]$. Since

$$f'_3(y) = 20y^3 - \frac{27}{2}y^2 + 9y - \frac{5}{2}$$

and

$$f''_3(y) = 60y^2 - 27y + 9 > 0$$

it follows that

$$f'_3(y) \leq f'_3(1/3) = -\frac{7}{27} < 0$$

for $y \leq 1/3$, i.e., the function f_3 is decreasing for $y \in [0, 1/3]$. Thus $f_3(y) \geq f_3(1/3) = 145/648 > 17/81$ for $0 \leq y \leq 1/3$.

- The segment $y = 0$ with $1/3 \leq x \leq 1/2$. The function

$$f_4(x) = f(x, 0) = 2x^4 - x + 1 + \frac{1}{27} > 2\left(\frac{1}{3}\right)^4 - \frac{1}{2} + \frac{28}{27} = \frac{91}{162} > \frac{17}{81}.$$

APPENDIX C.

We will show that the global minimum of the function

$$g(x, y) = 2x^4 + 12y^4 + (1 - x - y)(1 - y)^3$$

in the extended (for simplicity of calculations) domain D_g given by the following inequalities:

$$\begin{cases} 0 \leq x \leq \frac{1}{2} \\ 0 \leq y \leq \frac{1}{3} \end{cases}$$

is greater than $17/81$. Since $g'_x = 8x^3 - (1 - y)^3$, the equation $g'_x(x, y) = 0$ implies that $x = \frac{1}{2} - \frac{1}{2}y$. Moreover $g'_y(x, y) = 48y^3 - (1 - y)^3 - 3(1 - y)^2(1 - x - y)$. Hence

$$g'_y\left(\frac{1}{2} - \frac{1}{2}y, y\right) = 48y^3 - \frac{5}{2}(1 - y)^3 = 0$$

at $y_0 = \frac{5}{2\sqrt[3]{300+5}} < \frac{1}{3}$. Then $x_0 = \frac{\sqrt[3]{300}}{2\sqrt[3]{300+5}} \in [1/3, 1/2]$ and

$$g(x_0, y_0) = \frac{1500}{(2\sqrt[3]{300} + 5)^3} \approx 0.2412 > \frac{17}{81}.$$

The boundary of the rectangle D_g consists of four segments.

- The segment $y = 1/3$ with $0 \leq x \leq 1/2$. The function

$$g_1(x) = g\left(x, \frac{1}{3}\right) = 2x^4 - \frac{8}{27}x + \frac{28}{81}$$

for $x \in [0, 1/2]$ reaches its lowest value $22/81$ at $x = 1/3$.

- The segment $x = 0$ with $0 \leq y \leq 1/3$. The function

$$g_2(y) = g\left(0, y\right) = 12y^4 + (1 - y)^4$$

for $y \in [0, 1/3]$ reaches its lowest value $12/(1 + \sqrt[3]{12})^3 \approx 0.3371 > 17/81$ at $y = 1/(1 + \sqrt[3]{12})$.

- The segment $x = 1/2$ with $0 \leq y \leq 1/3$. Consider the function

$$g_3(y) = g\left(\frac{1}{2}, y\right) = 2\left(\frac{1}{2}\right)^4 + 12y^4 + \left(\frac{1}{2} - y\right)(1 - y)^3$$

for $y \in [0, 1/3]$. Since $y \leq 1/3$, we get

$$g_3(y) \geq \frac{1}{4} + 12y^4 + \left(\frac{1}{2} - y\right)\left(1 - \frac{1}{3}\right)^3 = 12y^4 - \frac{8}{27}y + \frac{59}{216}$$

Let $\psi(y) = 12y^4 - \frac{8}{27}y + \frac{59}{216}$. Since ψ for $y \in [0, 1/3]$ reaches its lowest value $(177 - 8\sqrt[3]{36})/648 \approx 0.23238 > 17/81$ at $x = 1/(3\sqrt[3]{6})$, it follows that $g_3(y) > 17/81$.

- The segment $y = 0$ with $0 \leq x \leq 1/2$. The function

$$g_4(x) = g(x, 0) = 2x^4 - x + 1 > -\frac{1}{2} + 1 = \frac{1}{2} > \frac{17}{81}.$$

REFERENCES

- [1] Januszewski, J., *Packing rectangles into the unit square*, Geom. Dedicata **8** (2000), 13–18.
- [2] Januszewski, J., Zielonka, Ł., *Packing a triangle by sequences of its non-blocking homothetic copies*, Period. Math. Hung., accepted.
- [3] Januszewski, J., Zielonka, Ł., *Packing of non-blocking cubes into the unit cube*, Beiträge Algebra Geom., <https://doi.org/10.1007/s13366-023-00710-1>.
- [4] Januszewski, J., Zielonka, Ł., *Packing of non-blocking squares into the unit square*, Colloq. Math., <https://doi.org/10.4064/cm9006-12-2023>.
- [5] Januszewski, J., Zielonka, Ł., *Reserve in packing cubes into the unit cube*, Bull. Pol. Acad. Sci. Math. **71** (2023), 85–95.
- [6] Meir, A., Moser, L., *On packing of squares and cubes*, J. Combin. Theory **5** (1968), 126–134.
- [7] Moon, J.W., Moser, L., *Some packing and covering theorems*, Colloq. Math. **17** (1967), 103–110.

INSTITUTE OF MATHEMATICS AND PHYSICS,
BYDGOSZCZ UNIVERSITY OF SCIENCE AND TECHNOLOGY,
AL. PROF. S. KALISKIEGO 7,
BYDGOSZCZ, 85-789, POLAND
E-mail: januszew@pbs.edu.pl lukasz.zielonka@pbs.edu.pl